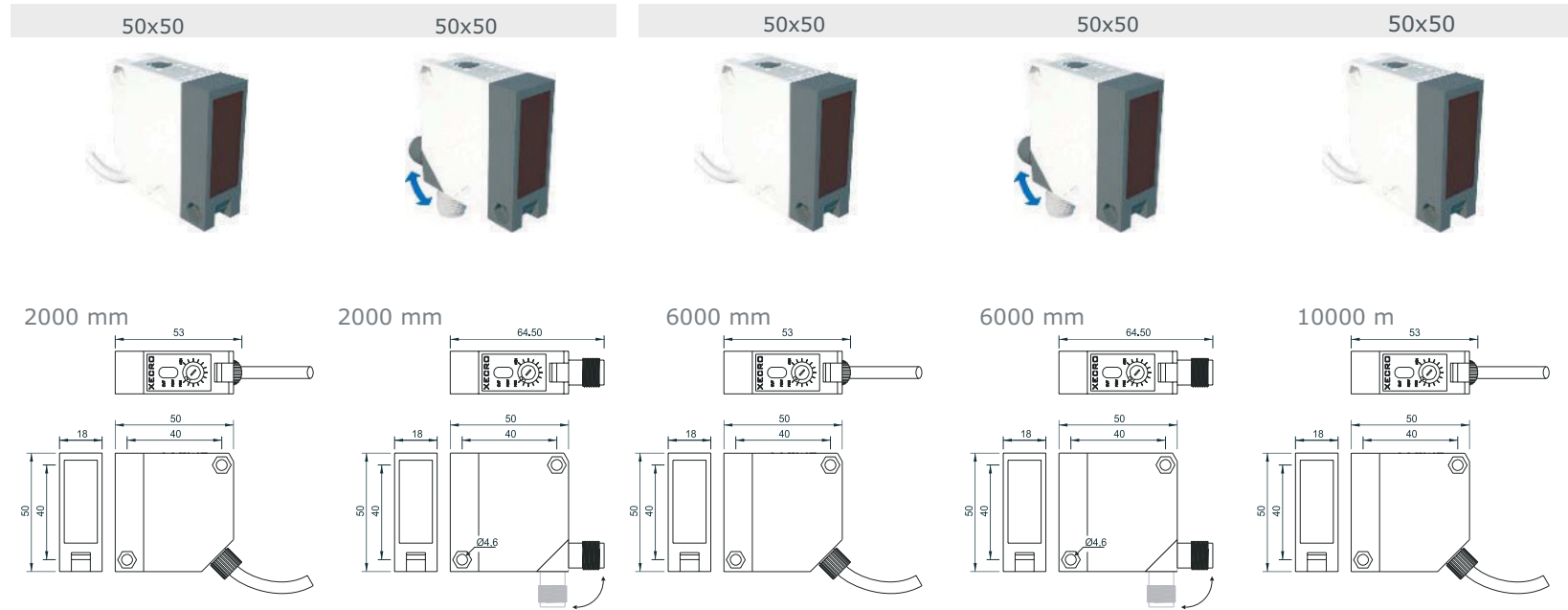
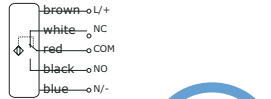
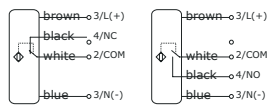
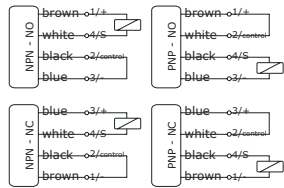




Output Schematics

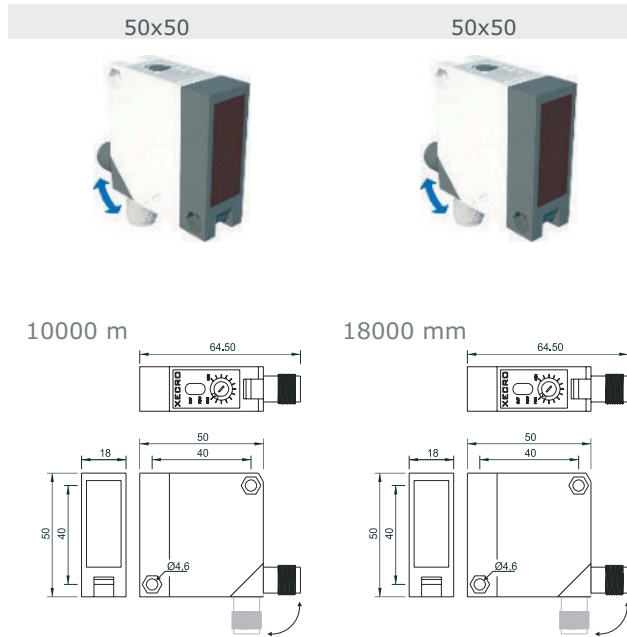
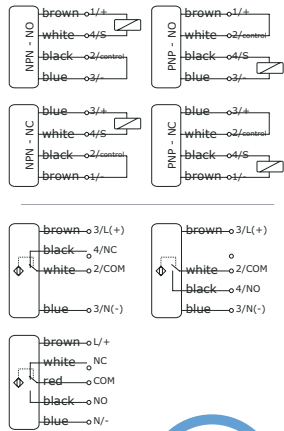


SPECIFICATIONS

	Diffuse Reflective	Diffuse Reflective	Diffuse Reflective	Diffuse Reflective	Polarized Reflective	Polarized Reflective	Polarized Reflective	Polarized Reflective	Retro Reflective	Retro Reflective
Operating Distance	300... 2000 mm	300... 2000 mm	300... 2000 mm	300... 2000 mm	6000 mm	6000 mm	6000 mm	6000 mm	10000 m	10000 m
Output Function	PNP, NPN, NO, NC	Relay, NO + NC	PNP, NPN, NO, NC	Relay, NO NC	PNP, NPN, NO, NC	Relay, NO + NC	PNP, NPN, NO, NC	Relay, NO NC	PNP, NPN, NO, NC	Relay, NO + NC
Operating Voltage	10... 30 VDC	24... 240 VDC/VAC	10... 30 VDC	24... 240 VDC/VAC	10... 30 VDC	24... 240 VDC/VAC	10... 30 VDC	24... 240 VDC/VAC	10... 30 VDC	24... 240 VDC/VAC
Reverse Polarity Protection	built-in	built-in	built-in	built-in	built-in	built-in	built-in	built-in	built-in	built-in
Current Consumption	< 37 mA	< 2.2 W	< 37 mA	< 2.2 W	< 37 mA	< 2.2 W	< 37 mA	< 2.2 W	< 37 mA	< 2.2 W
Current Load Capability	200 mA	1A / 230VAC	200 mA	1A / 230VAC	200 mA	1A / 230VAC	200 mA	1A / 230VAC	200 mA	1A / 230VAC
Short Circuit Protection	built-in - self resetting	built-in - self resetting	built-in - self resetting	built-in - self resetting	built-in - self resetting	built-in - self resetting	built-in - self resetting	built-in - self resetting	built-in - self resetting	built-in - self resetting
Voltage Drop	< 2 V @ 200 mA	-	< 2 V @ 200 mA	-	< 2 V @ 200 mA	-	< 2 V @ 200 mA	-	< 2 V @ 200 mA	-
Switching Frequency	500 Hz	10 Hz	500 Hz	10 Hz	500 Hz	10 Hz	500 Hz	10 Hz	500 Hz	10 Hz
Response Time	< 1 ms	< 25 ms	< 1 ms	< 25 ms	< 1 ms	< 25 ms	< 1 ms	< 25 ms	< 1 ms	< 25 ms
Hysteresis	~10%	~10%	~10%	~10%	~10%	~10%	~10%	~10%	~10%	~10%
Operating Temperature	-25... 55 °C	-25... 55 °C	-25... 55 °C	-25... 55 °C	-25... 55 °C	-25... 55 °C	-25... 55 °C	-25... 55 °C	-25... 55 °C	-25... 55 °C
Ambient Light Immunity	10,000 lux	10,000 lux	10,000 lux	10,000 lux	10,000 lux	10,000 lux	10,000 lux	10,000 lux	10,000 lux	10,000 lux
Protection Class	IP65	IP65	IP65	IP65	IP65	IP65	IP65	IP65	IP65	IP65
Housing Material	ABS, Lens PMMA	ABS, Lens PMMA	ABS, Lens PMMA	ABS, Lens PMMA	ABS, Lens PMMA	ABS, Lens PMMA	ABS, Lens PMMA	ABS, Lens PMMA	ABS, Lens PMMA	ABS, Lens PMMA
Connection	PVC, 5-pole, 2m	PVC, 5-pole, 2m	Connector M12, 4-pole	Connector M12, 4-pole	PVC, 5-pole, 2m	PVC, 5-pole, 2m	Connector M12, 4-pole	Connector M12, 4-pole	PVC, 5-pole, 2m	PVC, 5-pole, 2m
Output Indicator	Integrated	Integrated	Integrated	Integrated	Integrated	Integrated	Integrated	Integrated	Integrated	Integrated
Article Code										
PNP, NPN, NO, NC programmable	OS50D2PNCO/A2P		OS50D2PNCO/M12		OS50P6PNCO/A2P		OS50P6PNCO/M12		OS50N10PNCO/A2P	
Relay SPST, NO				OS50D2AO/M12			OS50P6AO/M12			
Relay SPST, NC				OS50D2AC/M12			OS50P6AC/M12			
Relay SPDT, NO + NC		OS50D2ACO/A2P				OS50P6ACO/A2P				OS50N10ACO/A2P
Transmitter										
Mouting Bracket	included	included	included	included	included	included	included	included	included	included



Output Schematics



SPECIFICATIONS

	Retro Reflective		Through Beam	
Operating Distance	10000 m	10000 m	18000 mm	18000 mm
Output Function	PNP, NPN, NO, NC	Relay, NO NC	PNP, NPN, NO, NC	Relay, NO NC
Operating Voltage	10... 30 VDC	24... 240 VDC/VAC	10... 30 VDC	24... 240 VDC/VAC
Reverse Polarity Protection	built-in	built-in	built-in	built-in
Current Consumption	< 37 mA	< 2.2 W	< 37 mA	< 2.2 W
Current Load Capability	200 mA	1A / 230VAC	200 mA	1A / 230VAC
Short Circuit Protection	built-in - self resetting	built-in - self resetting	built-in - self resetting	built-in - self resetting
Voltage Drop	< 2 V @ 200 mA	-	< 2 V @ 200 mA	-
Switching Frequency	500 Hz	10 Hz	500 Hz	10 Hz
Response Time	< 1 ms	< 25 ms	< 1 ms	< 25 ms
Hysteresis	~10%	~10%	~10%	~10%
Operating Temperature	-25... 55 °C	-25... 55 °C	-25... 55 °C	-25... 55 °C
Ambient Light Immunity	10.000 lux	10.000 lux	10.000 lux	10.000 lux
Protection Class	IP65	IP65	IP65	IP65
Housing Material	ABS, Lens PMMA	ABS, Lens PMMA	ABS, Lens PMMA	ABS, Lens PMMA
Connection	Connector M12, 4-pole	Connector M12, 4-pole	PVC, 5-pole, 2m	PVC, 5-pole, 2m
Output Indicator	Integrated	Integrated	Integrated	Integrated
Article Code				
PNP, NPN, NO, NC programmable	OS50N10PNCO/M12		OS50R18PNCO/A2P	
Relay SPST, NO		OS50N10AO/M12		
Relay SPST, NC		OS50N10AC/M12		
Relay SPDT, NO + NC				OS50R18ACO/M12
Transmitter				
OS50T18D/M12			OS50T18D/M12	
OS50T18A/M12			OS50T18A/M12	
Mouting Bracket	included	included	included	included